

High Voltage Transformer

TYPE:TR06-S001 URR

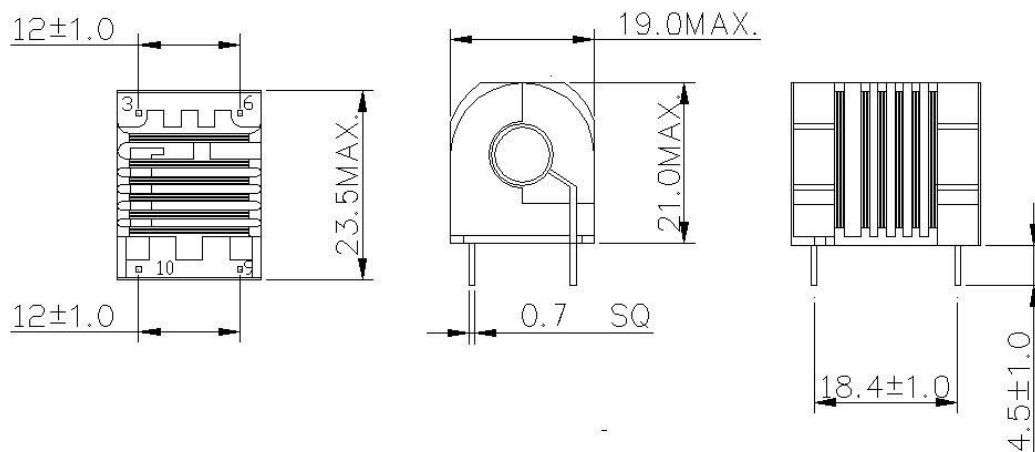
Applications:

- GAS IGNITER.
- AIR CLEANER.
- ELECTRONIC OZONIZER.
- GAS POWERED NAILER.

※Remark:Below here which specific could depend on customized specifications are acceptable.

MECHANICAL DIMENSION:

UNIT mm



P/N	L (PIN9→PIN6)	L (PIN10→PIN3)	DCR (PIN9→PIN6)	DCR (PIN10→PIN3)	TURNS RATIO	WEIGHT
JC-3532 PIN	$31.5\mu\text{H} \pm 15\%$	$250\text{mH} \pm 15\%$	$115\text{m}\Omega$ MAX.	700Ω MAX.	1:93	15.5 g
JC-96021	$22.5\mu\text{H} \pm 15\%$	$83.5\text{mH} \pm 15\%$	$75\text{m}\Omega$ MAX.	220Ω MAX.	1:60	15.5 g
P/N	L (PIN3→PIN4)	L (PIN2→PIN1)	DCR (PIN3→PIN4)	DCR (PIN2→PIN1)	TURNS RATIO	WEIGHT
JC-95019	$15\mu\text{H} \pm 15\%$	$258\text{mH} \pm 15\%$	$110\text{m}\Omega$ MAX.	650Ω MAX.	1:152	16 g

JET CHAM ENTERPRISE CO.,LTD

ADDRESS: 3F. NO.41 CHIAU AN ST. CHUNG HO DIST .NEW TAIPEI CITY, TAIWAN R.O.C.

OFFICE TEL:886-2-29253396 ~ 7 FAX.:886-2-29288877

FACTORY TEL:886-2-22447326 ~ 7 FAX.:886-2-22447328

E-mail: jetcham@ms35.hinet.com / jetcham.coil@msa.hinet.net