

Ignition Coil

TYPE:TR04-S007

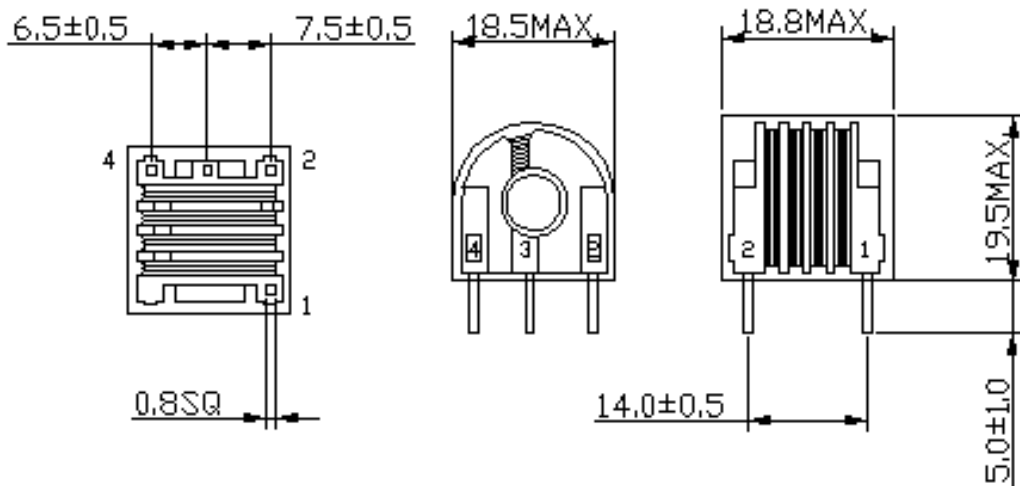
Applications:

- GAS IGNITER.
- AIR CLEANER.
- O₃ OZONIZER.
- H.I.D LAMP STARTER 35 WATT MAX.

※Remark:Below here which specific could depend on customized specifications are acceptable.

MECHANICAL DIMENSION:

UNIT mm



P/N	L (PIN4→PIN3)	L (PIN1→PIN2)	DCR (PIN4→PIN3)	DCR (PIN1→PIN2)	TURNS RATIO	WEIGHT
JC-90086	4.0μH±20%	170mH±20%	57mΩMAX.	765 MAX.	1:225	11.5 g
P/N	L (PIN3→PIN4)	L (PIN1→PIN2)	DCR (PIN3→PIN4)	DCR (PIN1→PIN2)	TURNS RATIO	WEIGHT
JC-34888	12.0μH±15%	139.7mH±15%	128mΩMAX.	805ΩMAX.	1:120	11.5 g
JC-85014	4.0μH±15%	165mH±15%	57mΩMAX.	682ΩMAX.	1:225	11.5g
JC-91146	0.6μH±15%	1.14mH±15%	12mΩMAX.	4.8ΩMAX.	1:55	11 g

JET CHAM ENTERPRISE CO.,LTD

ADDRESS: 3F. NO.41 CHIAU AN ST. CHUNG HO DIST .NEW TAIPEI CITY, TAIWAN R.O.C.

OFFICE TEL:886-2-29253396 ~ 7 FAX.:886-2-29288877

FACTORY TEL:886-2-22447326 ~ 7 FAX.:886-2-22447328

E-mail: jetcham@ms35.hinet.com / jetcham.coil@msa.hinet.net