

Ignition Transformer

TYPE:TR03-S015

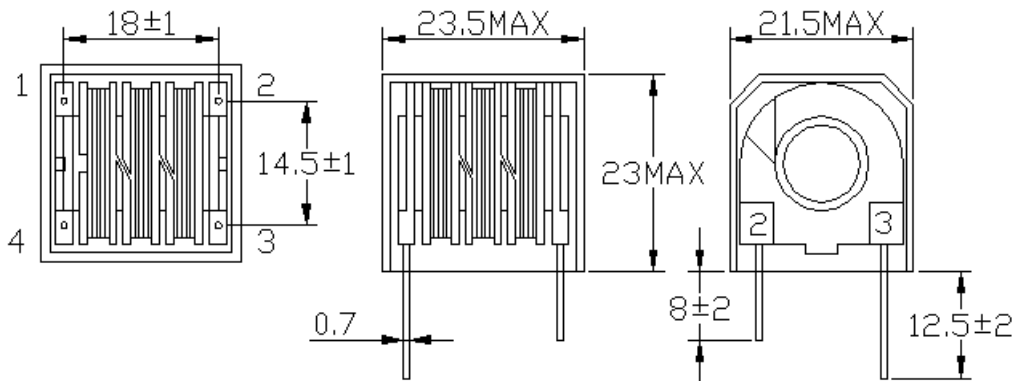
Applications:

- GAS IGNITER.
- AIR CLEANER.

※Remark:Below here which specific could depend on customized specifications are acceptable.

MECHANICAL DIMENSION:

UNIT mm



P/N	L (PIN4→PIN3)	L (PIN1→PIN2)	DCR (PIN4→PIN3)	DCR (PIN1→PIN2)	TURNS RATIO	WEIGHT
JC-B07	31.5μH ±20%	250mH ±20%	140mΩ MAX	840Ω MAX	1:91	18.8 g

JET CHAM ENTERPRISE CO.,LTD

ADDRESS: 3F. NO.41 CHIAU AN ST. CHUNG HO DIST .NEW TAIPEI CITY, TAIWAN R.O.C.

OFFICE TEL:886-2-29253396 ~ 7 FAX.:886-2-29288877

FACTORY TEL:886-2-22447326 ~ 7 FAX.:886-2-22447328

E-mail:jetcham.coil@msa.hinet.net / jetcham.jack@msa.hinet.net