

# Power Choke

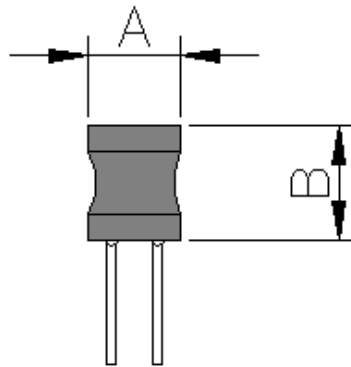
## DRUM TYPE

### Applications:

- LINE FILTER.
- EMI FILTER.

MECHANICAL DIMENSION:

UNIT mm



DIMENSION:DR6  $\Phi$ (A) $\times$ 7mm(B) $\sim$ 14  $\Phi$ (A) $\times$ 15mm(B)

CURRENT RATING:0.02A $\sim$ 2A

INDUCTANCE RANGE:1.0 $\mu$ H $\sim$ 10mH

## JET CHAM ENTERPRISE CO.,LTD

ADDRESS: 3F. NO.41 CHIAU AN ST. CHUNG HO DIST .NEW TAIPEI CITY, TAIWAN R.O.C.

OFFICE TEL:886-2-29253396 ~ 7 FAX.:886-2-29288877

FACTORY TEL:886-2-22447326 ~ 7 FAX.:886-2-22447328

E-mail:jetcham.coil@msa.hinet.net